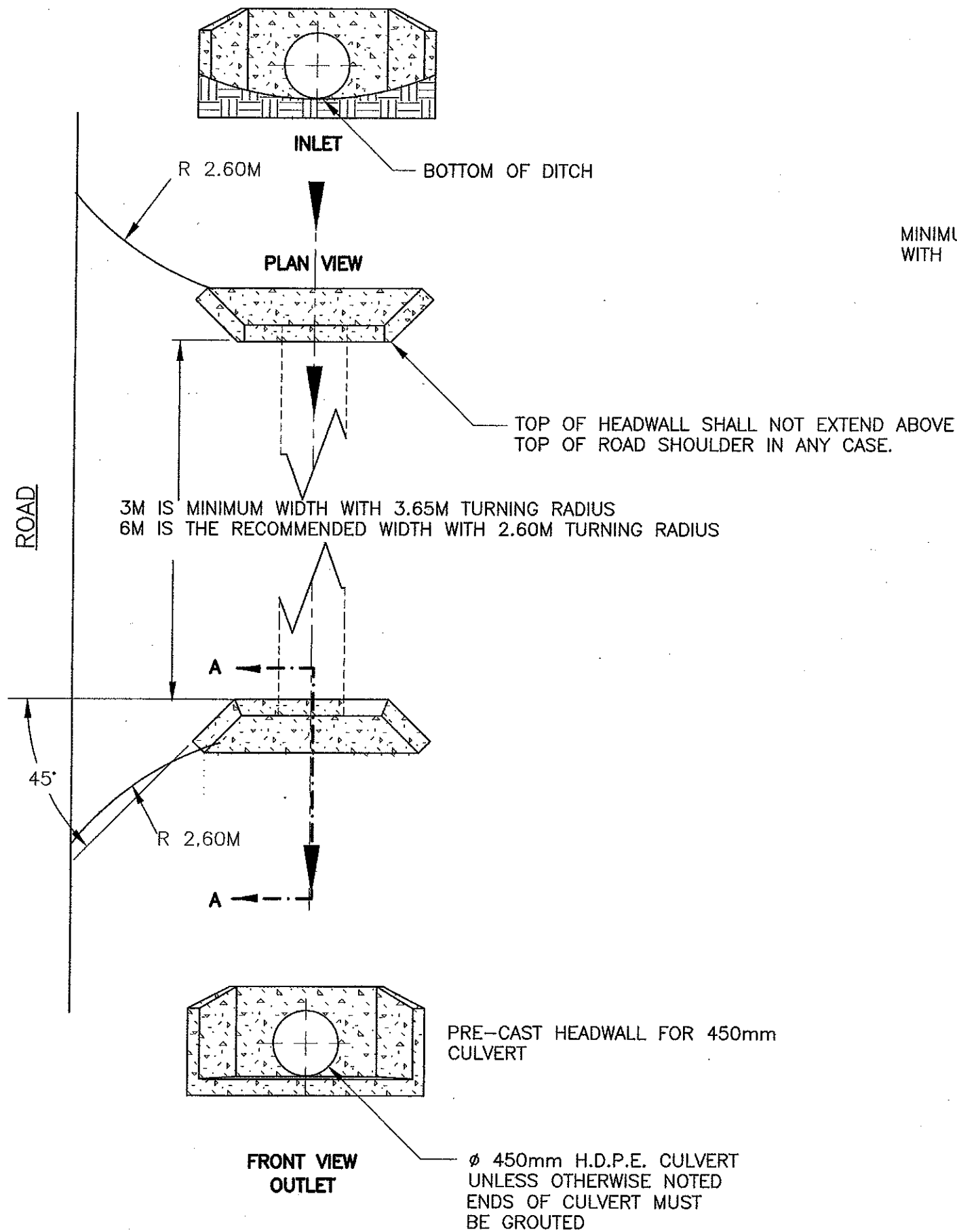
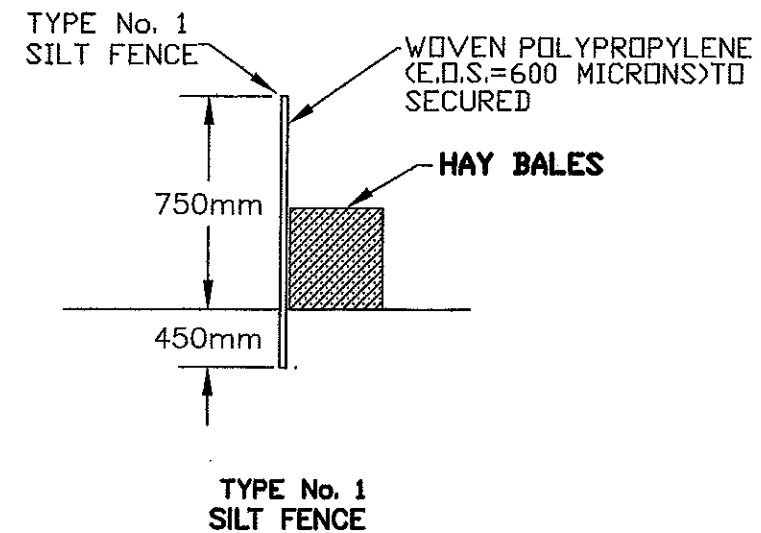
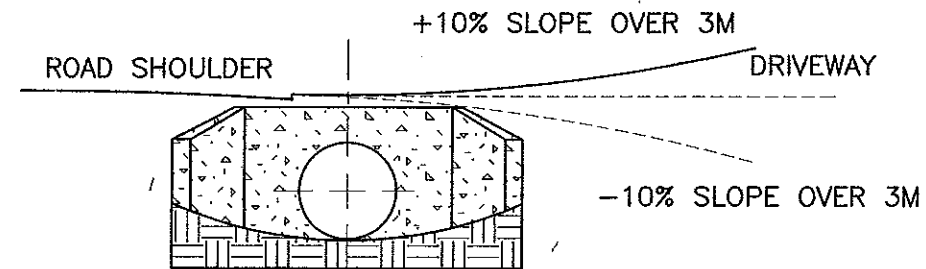
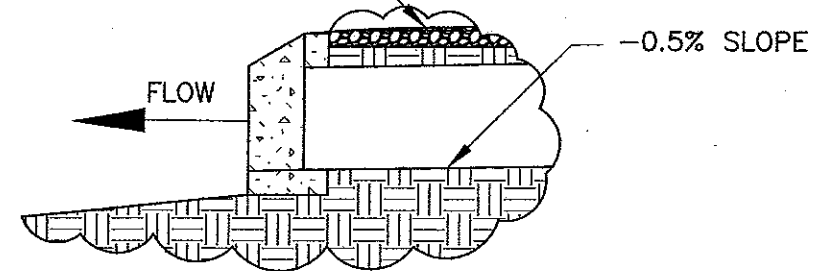


# TYPICAL CULVERT PRECAST HEADWALL DETAIL

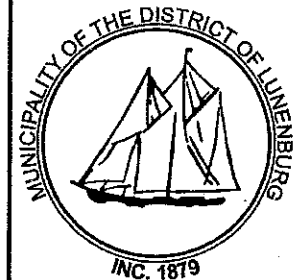


MINIMUM OF 225mm COVER IS REQUIRED WITH 100mm OF TYPE 1 AGG.



## NOTES:

- (1) CONTRACTOR IS RESPONSIBLE FOR VERIFYING ALL EXISTING DIMENSIONS AND CONDITIONS PRIOR TO BEGINNING WORK
- (2) THE CONTRACTOR IS RESPONSIBLE FOR THE SUPPLY AND DELIVERY OF ALL NECESSARY PIPE, FITTING'S AND HARD WARE AS REQUIRED TO SUCCESSFULLY COMPLETE THE WORK.
- (3) THE CONTRACTOR SHALL INSTALL A Ø450mm H.D.P.E. CULVERT
- (4) PRIOR TO START OF WORK THE CONTRACTOR SHALL INSTALL SILT FENCES IN THE DITCH, UPSTREAM AND DOWNSTREAM FROM THE AREA OF INSTALLATION
- (5) EXPOSED SOIL SHALL BE IMMEDIATELY STABILIZED THROUGH HYDROSEEDING OR SODDING



Municipality of the District of Lunenburg  
210 Aberdeen Road,  
Bridgewater Nova Scotia B4V 4G8

Phone: (902)-541-1325  
Fax: (902)-527-1135

PROJECT

**CULVERT STANDARD**

SHEET DESCRIPTION

**PRE-CAST CONCRETE HEADWALL**

DATE 10/10/2013  
HORIZ. SCALE NTS  
VERT. SCALE NTS  
DRAWN M.BOULANGER  
CHECKED  
DWG. NO 19205-2706-03  
DWG SHEET B

SHEET

1

OF

1