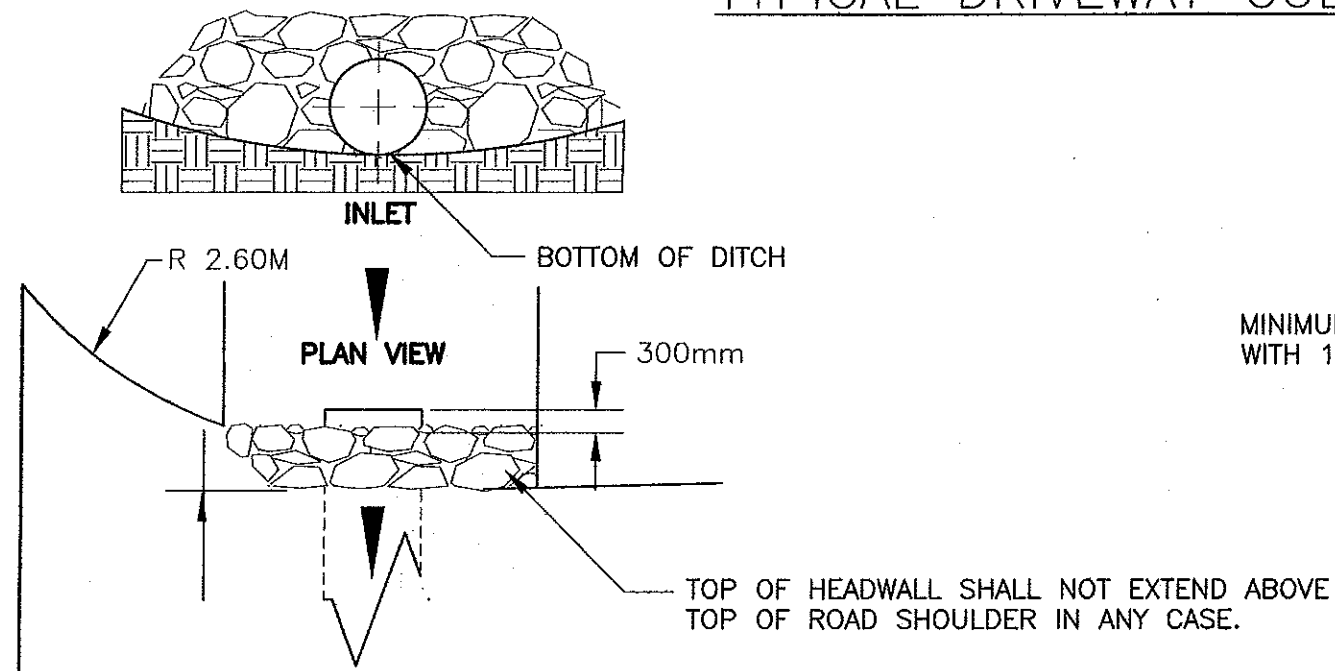
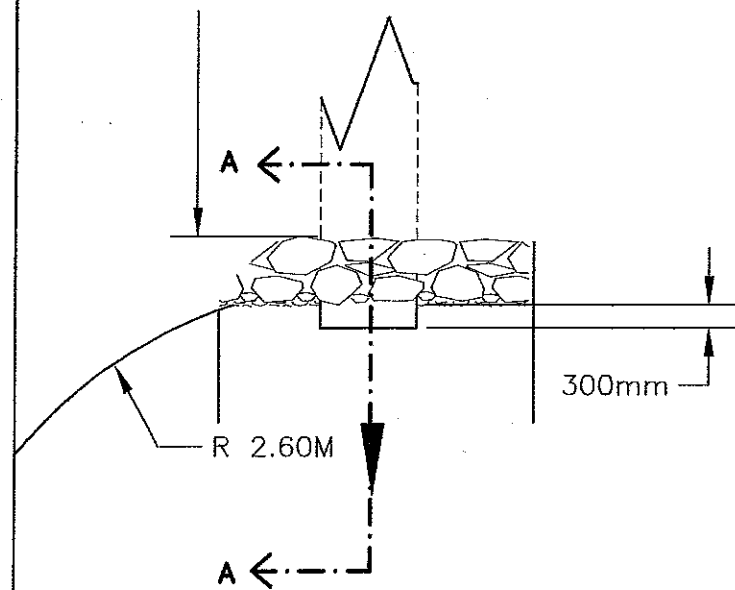


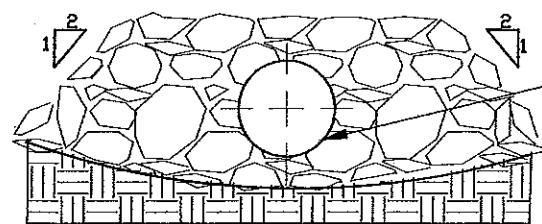
TYPICAL DRIVEWAY CULVERT ROCK HEADWALL DETAIL



3M IS MINIMUM WIDTH WITH 3.65M TURNING RADIUS
6M IS THE RECOMMENDED WIDTH WITH 2.60M TURNING RADIUS

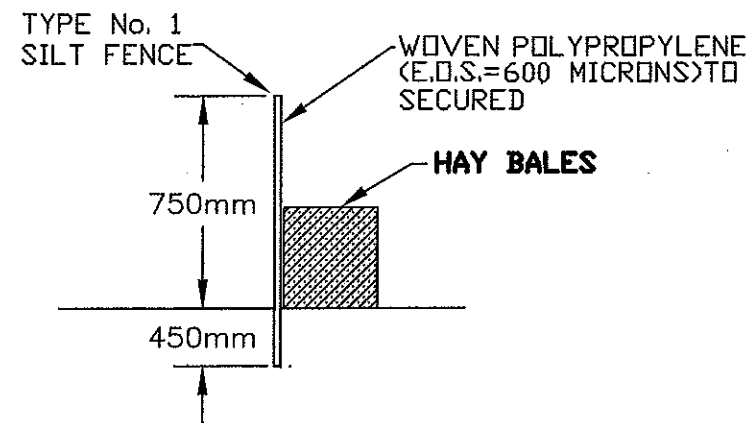
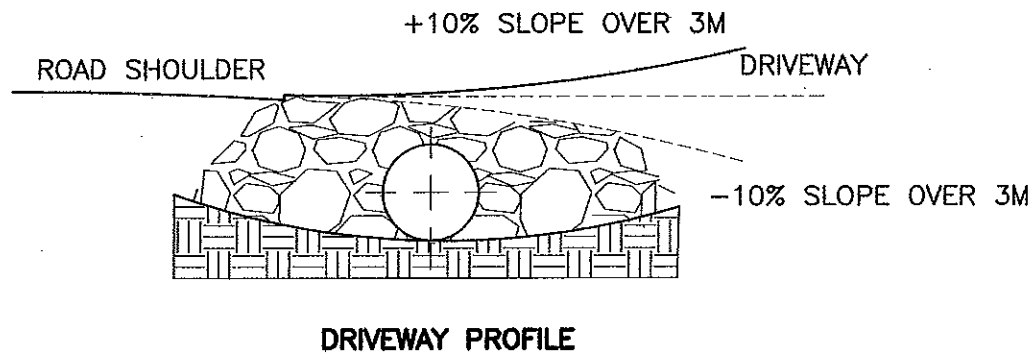
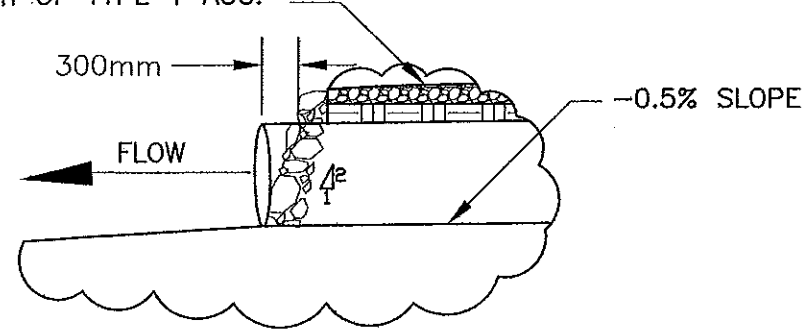


1.35m MINIMUM

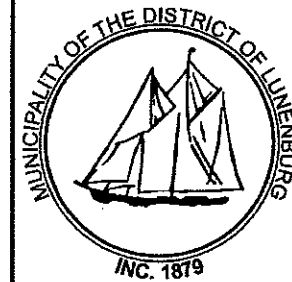


Ø 450mm H.D.P.E. CULVERT
UNLESS OTHERWISE NOTED

MINIMUM OF 225mm COVER IS REQUIRED
WITH 100mm OF TYPE 1 AGG.



- NOTES:
- (1) CONTRACTOR IS RESPONSIBLE FOR VERIFYING ALL EXISTING DIMENSIONS AND CONDITIONS PRIOR TO BEGINNING WORK
 - (2) THE CONTRACTOR IS RESPONSIBLE FOR THE SUPPLY AND DELIVERY OF ALL NECESSARY PIPE, FITTING'S AND HARD WARE AS REQUIRED TO SUCCESSFULLY COMPLETE THE WORK.
 - (3) THE CONTRACTOR SHALL INSTALL A Ø450mm H.D.P.E. CULVERT
 - (4) PRIOR TO START OF WORK THE CONTRACTOR SHALL INSTALL SILT FENCES IN THE DITCH, UPTREAM AND DOWNSTREAM FROM THE AREA OF INSTALLATION
 - (5) EXPOSED SOIL SHALL BE IMMEDIATELY STABILIZED THROUGH HYDROSEEDING OR SODDING



Municipality of the
District of Lunenburg
210 Aberdeen Road,
Bridgewater Nova
Scotia B4V 4G8

Phone: (902)-541-1325
Fax: (902)-527-1135

PROJECT

CULVERT STANDARD

SHEET DESCRIPTION

FOR ROCK HEADWALL

DATE 10/10/2013
HORIZ. SCALE NTS
VERT. SCALE NTS
DRAWN M. BOULANGER
CHECKED
DWG. NO. 19205-2706-01
DWG SHEET B

SHEET
1
OF
1